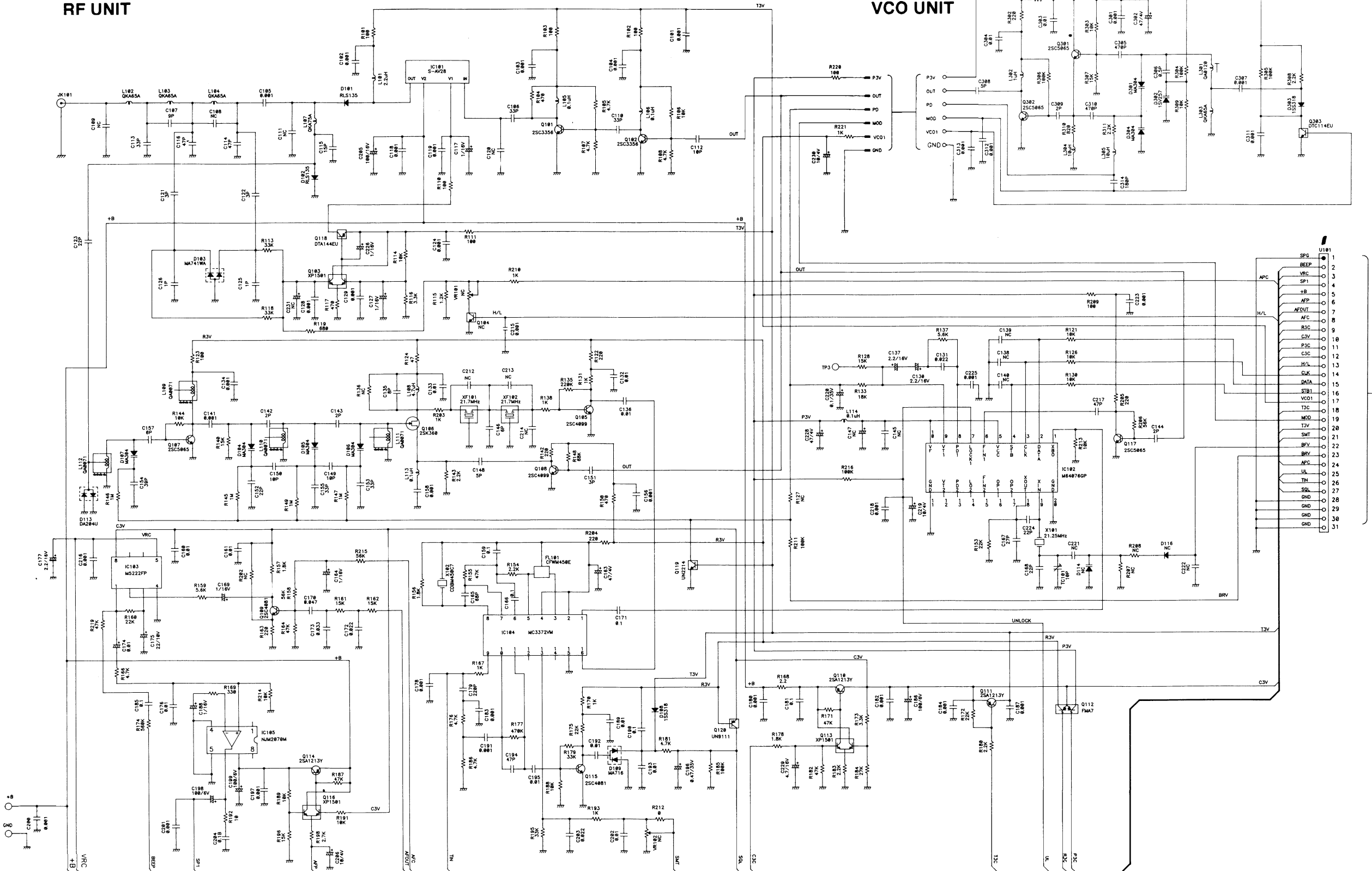
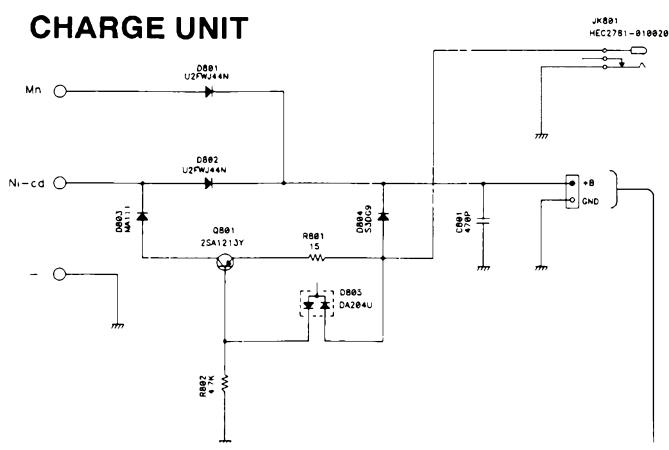
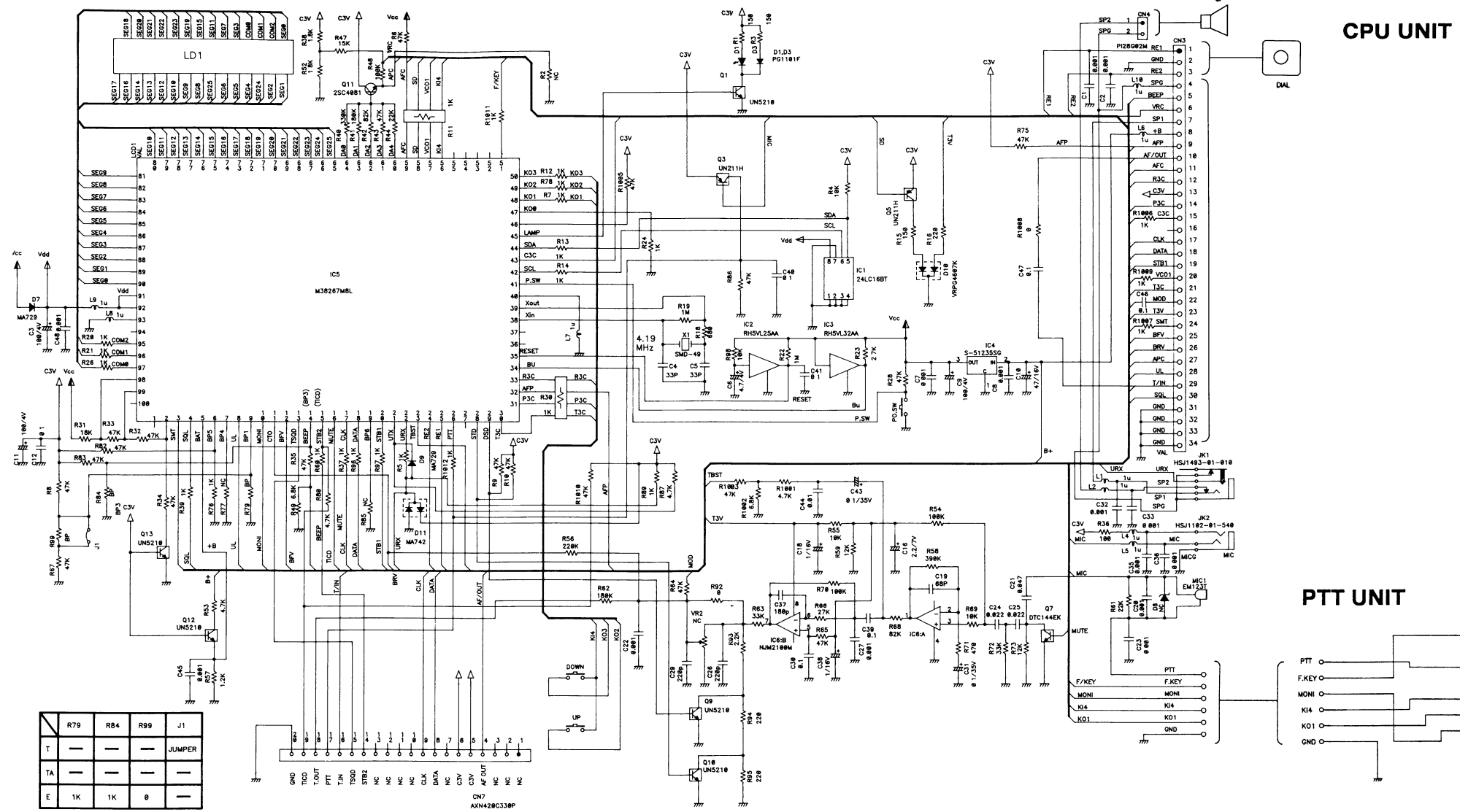


# RF UNIT

# VCO UNIT



- 1 SPG
- 2 BEEP
- 3 VRC
- 4 SP1
- 5 +B
- 6 AFC
- 7 AFOUT
- 8 AFC
- 9 R3C
- 10 C3V
- 11 P3C
- 12 C3C
- 13 H/L
- 14 CLK
- 15 DATA
- 16 STBI
- 17 VCO1
- 18 T3C
- 19 MOD
- 20 T3V
- 21 SMT
- 22 BRV
- 23 BRV
- 24 APC
- 25 UL
- 26 TH
- 27 S3L
- 28 GND
- 29 GND
- 30 GND
- 31 GND



# SCHEMATIC DIAGRAM DJ-190T/E